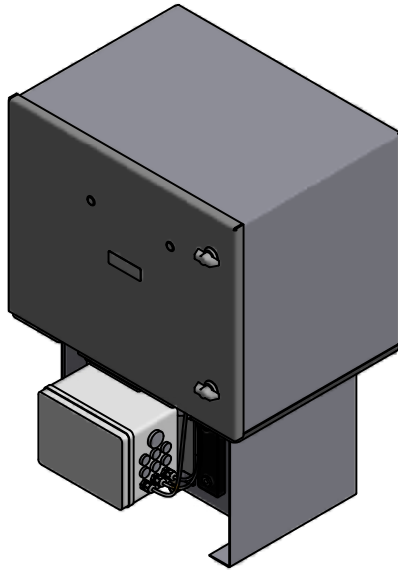


Inventor Drawing



FEATURE	CODE
Hydraulic power unit	HPT
Oil volume	20
Reservoir SS304	DBQS
Enclosure SS304	S4EN
Manifold	MB1V3
Motor - pump	150PR5

Example for ordering

HPT20-DBQSS4EN-MB1V3-150PR5

TECHNICAL DATA

Motor size (kW)	1.5
Oil volume (L)	20
Maximum pressure (MPa)	20
Hydraulic fittings (oil supply) T1	-6 x 37° JIC
Mounting holes	4 x Ø14
Mounting bolts	4 x M12
Weight w/o oil (kg)	100

NOMINAL SPECIFICATION

Stainless steel reservoir and enclosure.

Gear pump and high-pressure outlet filter.

Circuit manifold having check-valve, relief valve, normally open solenoid valve with manual override, pressure gauge with isolation valve, flow control, motor cut-out pressure switch, accumulator with flow control valve.

Control voltage electrical junction box connection to be drilled to suit requirements by customer.

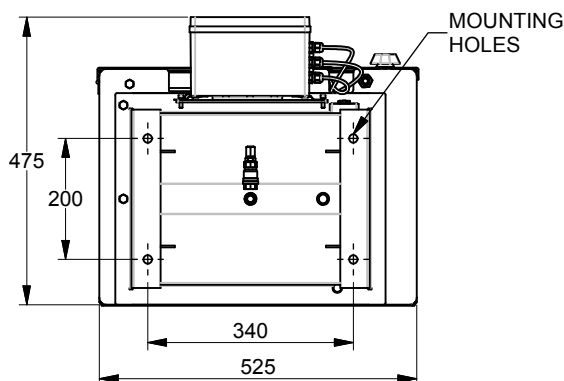
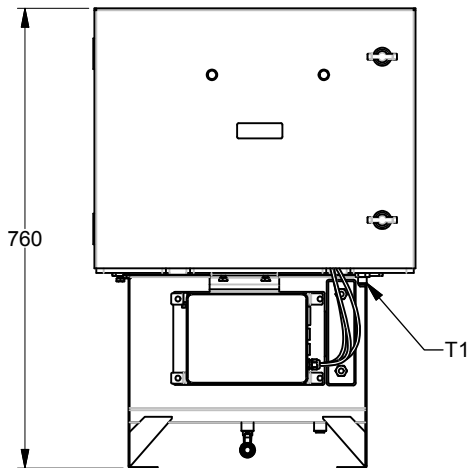
For electrical motor junction box connection see motor specification sheet for details.

NOTES

Hillmar power units can be customized to suit customer's special requirements

All figures are nominal figures only

All dimensions are in millimeters



Document Template #710-101-62058

** ALL TECHNICAL DATA IS SUBJECT TO CHANGE WITHOUT NOTICE **

Hillmar works have a fully registered ISO 9001-2008 quality assurance programme (QCB #01-1525)

C:\TEMP\74340d01-d00e-4f65-b1f1-b2238965ec71380000521776\HILLMAR\HILLMAR PRODUCTION\01 HYD PWR UNIT\0700-10700\1006 HPT-QS\SPC-SHT-HPT-QS\HPT-QS129-523-75788 HPT20-DBQSS4EN-MB1V3-150PR5.kdw